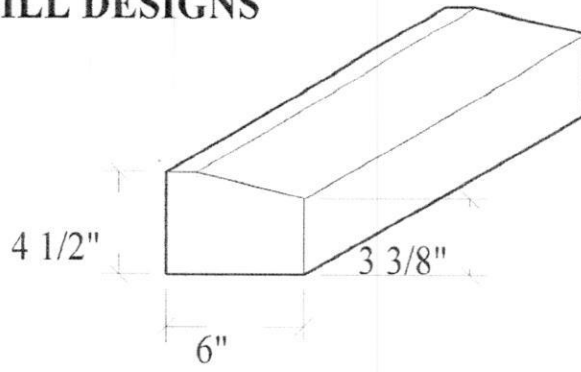
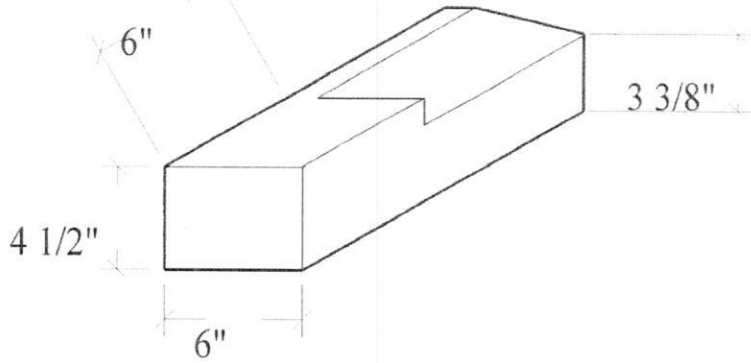


SILL DESIGNS

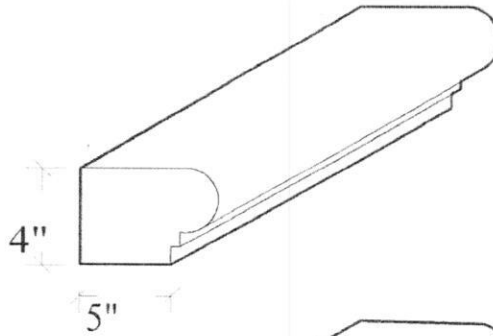
SI-A (PLAIN SILL)



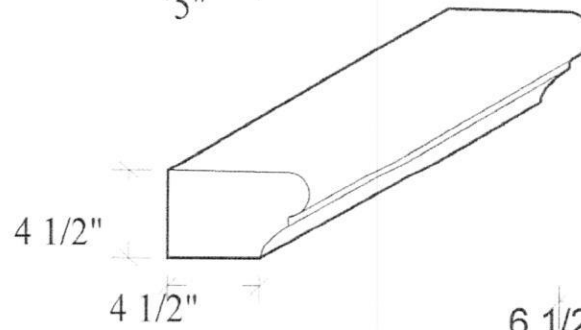
SI-B (DROPLIP SILL)



SI-C SILL



SI-D (X-1 SILL)



SP-2 SILL

