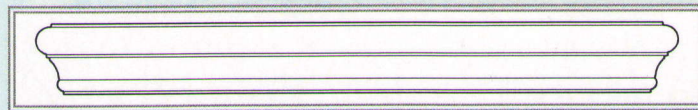
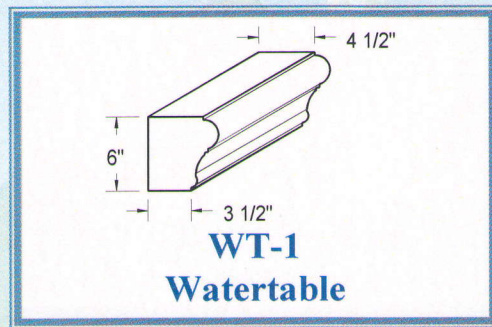


# WATERTABLE



**WT-1 Watertable Front View**

**Return**



**Flat Finished End**



**Bullnose Down**

